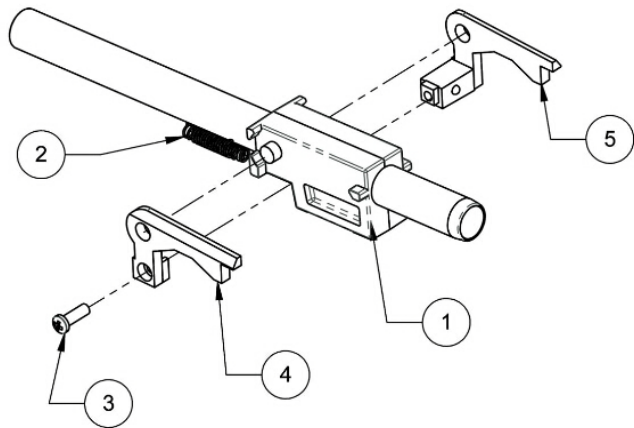


[Acculine Precision Mfg Co.](#)

is a China supplier of custom airsoft airgun barrels and barrel assemblies, exporting to several large airgun makers.

ONE EXAMPLE of the barrel assemblies we are currently producing for airgun industry



FEATURES:

Barrels: various materials, sizes, lengths, and other specs;

Other components: die casting, plastic over molds / parts, stamping, springs, etc

Barrel: C1010 DOM TUBING, ID .1765"

Other components: 1, plastic over-mold, 2, spring, 3, self-tapping screws, 4, zinc die casting